

< HIGH VOLTAGE DIODE MODULES >

RM1200DG-90F

HIGH POWER SWITCHING USE
INSULATED TYPE

High Voltage Diode Modules

RM1200DG-90F



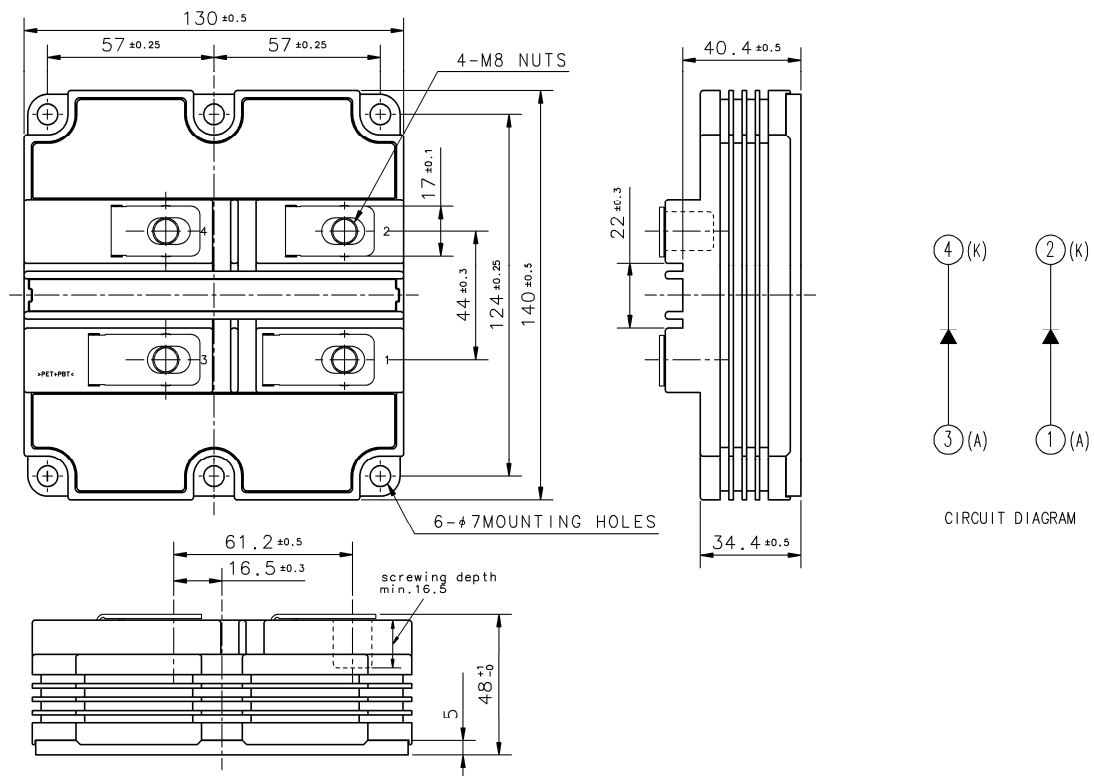
- I_F 1200A
- V_{RRM} 4500V
- 2-element in a Pack
- High insulated Type
- Soft Recovery Diode
- AISiC Baseplate

APPLICATION

Traction drives, High Reliability Converters / Inverters, DC choppers

OUTLINE DRAWING & CIRCUIT DIAGRAM

Dimensions in mm



RM1200DG-90F

HIGH POWER SWITCHING USE
INSULATED TYPE

MAXIMUM RATINGS

Symbol	Item	Conditions	Ratings	Unit
V _{RRM}	Repetitive peak reverse voltage	T _j = -40...+125°C	4500	V
		T _j = -50°C	4400	
I _F	Forward current	DC, T _c = 65°C	1200	A
I _{FSM}	Surge forward current	T _{j_start} = 125°C, t _p = 10 ms, Half-sine wave, V _R = 0 V	9.8	kA
I _t ²	Surge current load integral		480	kA ² s
P _{tot}	Maximum power dissipation	T _c = 25°C	6250	W
V _{iso}	Isolation voltage	RMS, sinusoidal, f = 60 Hz, t = 1 min.	10200	V
V _e	Partial discharge extinction voltage	RMS, sinusoidal, f = 60 Hz, Q _{PD} ≤ 10 pC	3500	V
T _j	Junction temperature		-50 ~ +150	°C
T _{jop}	Operating junction temperature		-50 ~ +125	°C
T _{stg}	Storage temperature		-55 ~ +125	°C

ELECTRICAL CHARACTERISTICS

Symbol	Item	Conditions	Limits			Unit	
			Min	Typ	Max		
I _{RRM}	Repetitive reverse current	V _{RM} = V _{RRM}	T _j = 25°C	—	—	3.0	mA
			T _j = 125°C	—	9.0	—	
V _{FM}	Forward voltage	I _F = 1200 A	T _j = 25°C	—	2.55	—	V
			T _j = 125°C	—	2.85	3.45	
t _{rr}	Reverse recovery time	V _{CC} = 2800 V I _F = 1200 A	T _j = 25°C	—	0.70	—	μs
			T _j = 125°C	—	0.90	—	
I _{rr}	Reverse recovery current	-d _i /d _t = 3900 A/μs @ T _j = 25°C -d _i /d _t = 3600 A/μs @ T _j = 125°C L _s = 150 nH	T _j = 25°C	—	1050	—	A
			T _j = 125°C	—	1140	—	
Q _{rr}	Reverse recovery charge	Inductive load	T _j = 25°C	—	990	—	μC
			T _j = 125°C	—	1560	—	
E _{rec(10%)}	Reverse recovery energy (Note 1)	Inductive load	T _j = 25°C	—	1.44	—	J
			T _j = 125°C	—	2.25	—	
E _{rec}	Reverse recovery energy	Inductive load	T _j = 25°C	—	1.65	—	J
			T _j = 125°C	—	2.55	—	

THERMAL CHARACTERISTICS

Symbol	Item	Conditions	Limits			Unit
			Min	Typ	Max	
R _{th(j-c)}	Thermal resistance	Junction to Case (per 1/2 module)	—	—	20.0	K/kW
R _{th(c-s)}	Contact thermal resistance	Case to heat sink, λ _{grease} = 1 W/m ² ·k D _(c-s) = 100 μm (per 1/2 module)	—	16.0	—	K/kW

MECHANICAL CHARACTERISTICS

Symbol	Item	Conditions	Limits			Unit
			Min	Typ	Max	
M _t	Mounting torque	M8 : Main terminals screw	7.0	—	22.0	N·m
M _s		M6 : Mounting screw	3.0	—	6.0	N·m
m	Mass		—	1.0	—	kg
CTI	Comparative tracking index		600	—	—	—
d _a	Clearance		26.0	—	—	mm
d _s	Creepage distance		56.0	—	—	mm
L _{PAK}	Parasitic stray inductance		—	44.0	—	nH
R _{AA+KK}	Internal lead resistance	T _c = 25°C, 1/2 module	—	0.27	—	mΩ

Note 1. E_{rec(10%)} are the integral of 0.1V_R × 0.1I_F × dt.

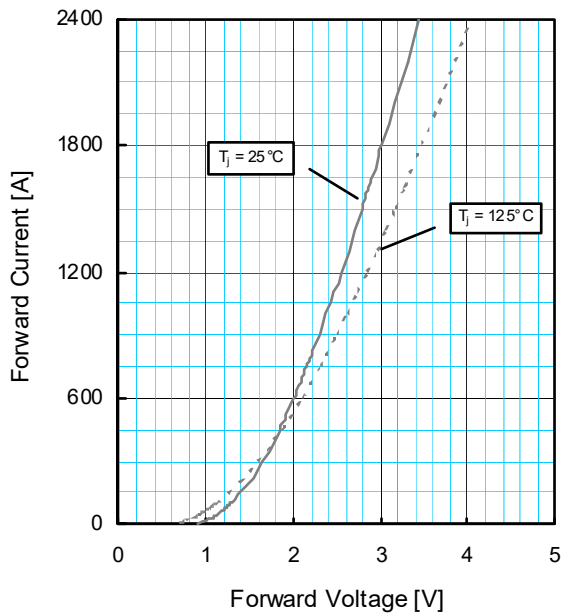
Note 2. Definition of all items is according to IEC 60747, unless otherwise specified.

RM1200DG-90F

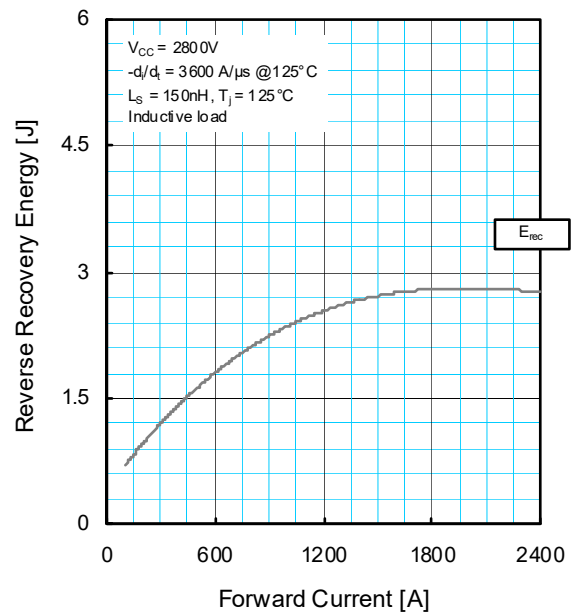
HIGH POWER SWITCHING USE
INSULATED TYPE

PERFORMANCE CURVES

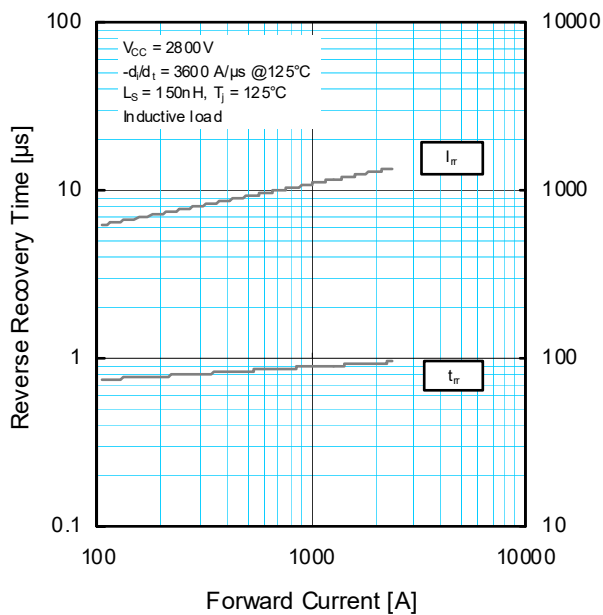
FORWARD CHARACTERISTICS (TYPICAL)



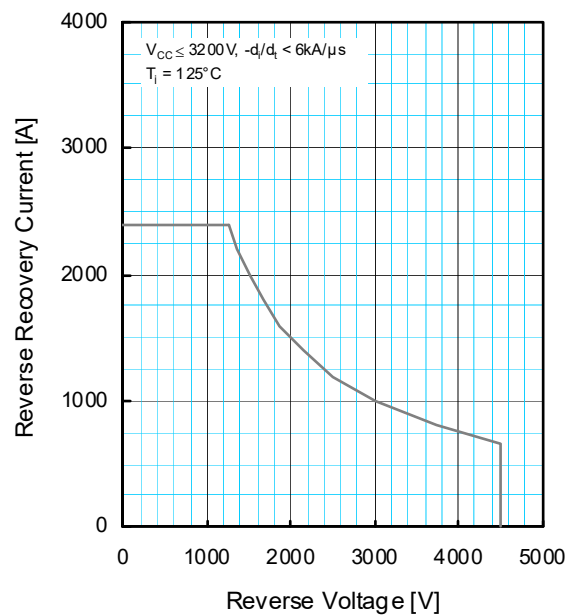
REVERSE RECOVERY ENERGY CHARACTERISTICS (TYPICAL)



REVERSE RECOVERY CHARACTERISTICS (TYPICAL)

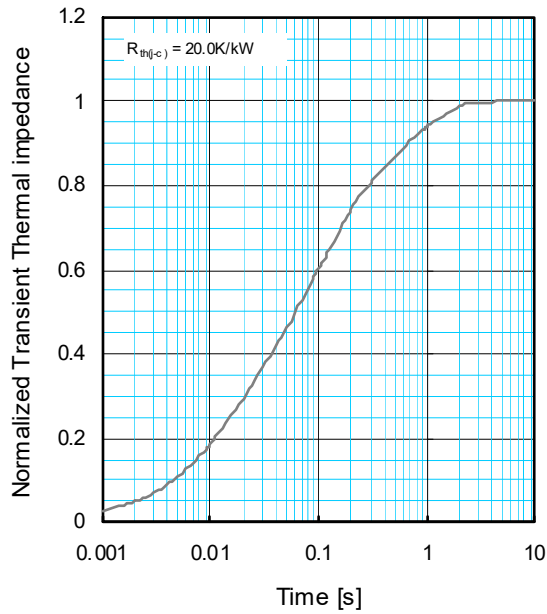


REVERSE RECOVERY SAFE OPERATING AREA (RRSOA)



PERFORMANCE CURVES

TRANSIENT THERMAL IMPEDANCE CHARACTERISTICS



$$Z_{th(j-c)}(t) = \sum_{i=1}^n R_i \left\{ 1 - \exp\left(-\frac{t}{\tau_i}\right) \right\}$$

	1	2	3	4
R_i [K/kW]	0.0055	0.2360	0.4680	0.2905
τ_i [sec]	0.0001	0.0131	0.0878	0.6247

Important Notice

The information contained in this datasheet shall in no event be regarded as a guarantee of conditions or characteristics. This product has to be used within its specified maximum ratings, and is subject to customer's compliance with any applicable legal requirement, norms and standards.

Except as otherwise explicitly approved by Mitsubishi Electric Corporation in a written document signed by authorized representatives of Mitsubishi Electric Corporation, our products may not be used in any applications where a failure of the product or any consequences of the use thereof can reasonably be expected to result in personal injury.

In usage of power semiconductor, there is always the possibility that trouble may occur with them by the reliability lifetime such as Power Cycle, Thermal Cycle or others, or when used under special circumstances (e.g. condensation, high humidity, dusty, salty, highlands, environment with lots of organic matter / corrosive gas / explosive gas, or situations which terminals of semiconductor products receive strong mechanical stress). Therefore, please pay sufficient attention to such circumstances. Further, depending on the technical requirements, our semiconductor products may contain environmental regulation substances, etc. If there is necessity of detailed confirmation, please contact our nearest sales branch or distributor.

The contents or data contained in this datasheet are exclusively intended for technically trained staff. Customer's technical departments should take responsibility to evaluate the suitability of Mitsubishi Electric Corporation product for the intended application and the completeness of the product data with respect to such application. In the customer's research and development, please evaluate it not only with a single semiconductor product but also in the entire system, and judge whether it's applicable. As required, pay close attention to the safety design by installing appropriate fuse or circuit breaker between a power supply and semiconductor products to prevent secondary damage. Please also pay attention to the application note and the related technical information.

Keep safety first in your circuit designs!

Mitsubishi Electric Corporation puts the maximum effort into making semiconductor products better and more reliable, but there is always the possibility that trouble may occur with them. Trouble with semiconductors may lead to personal injury, fire or property damage. Remember to give due consideration to safety when making your circuit designs, with appropriate measures such as (i) placement of substitutive, auxiliary circuits, (ii) use of non-flammable material or (iii) prevention against any malfunction or mishap.

Notes regarding these materials

- These materials are intended as a reference to assist our customers in the selection of the Mitsubishi Electric Semiconductor product best suited to the customer's application; they do not convey any license under any intellectual property rights, or any other rights, belonging to Mitsubishi Electric Corporation or a third party.
- Mitsubishi Electric Corporation assumes no responsibility for any damage, or infringement of any third-party's rights, originating in the use of any product data, diagrams, charts, programs, algorithms, or circuit application examples contained in these materials.
- All information contained in these materials, including product data, diagrams, charts, programs and algorithms represents information on products at the time of publication of these materials, and are subject to change by Mitsubishi Electric Corporation without notice due to product improvements or other reasons. It is therefore recommended that customers contact Mitsubishi Electric Corporation or an authorized Mitsubishi Electric Semiconductor product distributor for the latest product information before purchasing a product listed herein.
The information described here may contain technical inaccuracies or typographical errors. Mitsubishi Electric Corporation assumes no responsibility for any damage, liability, or other loss rising from these inaccuracies or errors.
Please also pay attention to information published by Mitsubishi Electric Corporation by various means, including the Mitsubishi Electric Semiconductor home page (<https://www.MitsubishiElectric.com/semiconductors/>).
- When using any or all of the information contained in these materials, including product data, diagrams, charts, programs, and algorithms, please be sure to evaluate all information as a total system before making a final decision on the applicability of the information and products. Mitsubishi Electric Corporation assumes no responsibility for any damage, liability or other loss resulting from the information contained herein.
- Mitsubishi Electric Corporation semiconductors are not designed or manufactured for use in a device or system that is used under circumstances in which human life is potentially at stake. Please contact Mitsubishi Electric Corporation or an authorized Mitsubishi Electric Semiconductor product distributor when considering the use of a product contained herein for any specific purposes, such as apparatus or systems for transportation, vehicular, medical, aerospace, nuclear, or undersea repeater use.
- The prior written approval of Mitsubishi Electric Corporation is necessary to reprint or reproduce in whole or in part these materials.
- If these products or technologies are subject to the Japanese export control restrictions, they must be exported under a license from the Japanese government and cannot be imported into a country other than the approved destination.
Any diversion or re-export contrary to the export control laws and regulations of Japan and/or the country of destination is prohibited.
- Please contact Mitsubishi Electric Corporation or an authorized Mitsubishi Electric Semiconductor product distributor for further details on these materials or the products contained therein.